

# OPTONICA

# USER MANUAL

---

VE48100E-P2 Series LFP Battery Pack

SKU: 9470

1 Foreword.....	1
2 Safety.....	2
2.1 Safety Precautions.....	2
2.2 Abuse Operation.....	2
3 Overview.....	3
3.1 Product Description.....	3
3.1.1 Features.....	3
3.1.2 Basic Functions.....	3
3.2 Application Scenario.....	4
4 Application Description.....	5
4.1 Parallel Connection Application.....	5
4.2 Low-temperature Application.....	5
4.3 Low Battery-capacity Storage (SOC≤5%).....	5
4.4 Application of Nearing the Ocean.....	6
5 Product Introduction.....	7
5.1 Product Appearance.....	7
5.2 Panel Introduction.....	8
5.2.1 Panel Function.....	8
5.2.2 Indicator Description.....	9
5.2.3 DIP Address.....	10
5.2.4 Communication Port Definition.....	12
6 Installation.....	13
6.1 Tools Preparation.....	13
6.2 Open-pack Inspection.....	14
6.3 Installation.....	14
6.4 Cable Connection.....	15
6.4.1 Power Cable Connection.....	15
6.4.2 Communication Cable Connection.....	16
6.4.3 120Ω Resistor Connection.....	17
6.5 Set Dial Address.....	17
7 Power On.....	18
7.1 Power-on Operation.....	18
7.2 UIWare Configuration.....	18
7.3 Power System Parameter Setting.....	19
8 Shipment & Maintenance & Storage.....	20
8.1 Shipment.....	20
8.2 Maintenance.....	20
8.2.1 Battery Maintenance Considerations.....	20
8.2.2 Routine Maintenance.....	21
8.3 Battery Storage.....	22
9 Trouble Shooting.....	23
10 Warranty.....	24
11 Abbreviations.....	25

## ► Overview

This operation manual mainly introduces the VE48100E-P2 series product introduction, application description, installation instructions, power-on instructions, maintenance instructions and provides instructions for technical support engineers, maintenance engineers and users.





## ► Reader

This document is mainly applicable to the following engineers.

- Technical Support Engineer
- Installation Personnel
- Maintenance Engineer

## ► Signs

The following signs may appear in this article, and their meanings are as follows.

Sign	Meaning	Description
	Danger	Indicates a hazard with a high level of risk that will cause death or serious injury if not avoided.
	Warning	Indicates a hazard with a moderate risk that may cause death or serious injury if not avoided.
	Notice	Indicates a hazard with a low level of risk that may cause minor or moderate harm if not avoided.
	Explanation	Supplementary explanation of key information in the main text. "Explanation" is not safety warning information, and does not involve personal, equipment and environmental damage information.

### ▶ 2.1 Safety Precautions

Before carrying out battery work, you must read carefully the safety precautions and master the correct installation and connection methods of the battery.

- Prohibit to turn it upside down, tilt, or collide.
- Prohibit to short-circuit the positive and negative poles of the battery, otherwise it will cause the battery to be damaged.
- Prohibit to throw the battery pack into a fire source.
- Prohibit to modify the battery, and it is strictly prohibited to immerse the battery in water or other liquids.
- DO NOT place installation tools on the battery during battery installation.
- DO NOT disassemble, squeeze, bend, deform, puncture, or shred the battery without the authorization of supplier and authorized dealers.
- DO NOT exceed the temperature range, otherwise it will affect the battery performance and safety.
- The battery circuit must be kept disconnecting status during installation and maintenance operations.
- Check the battery connection end bolts regularly to confirm that the bolts are tight.

### ▶ 2.2 Abuse Operation

The battery pack needs to avoid abuse operations under the following (including but not limited to) conditions:

Abuse Operation	Protection Description
Reverse connection of positive and negative poles	If the positive and negative poles are connected reversely, the battery will be directly damaged.
External short circuit	If the battery pack is short circuited externally, the battery will be directly damaged.
Series connection application	The battery pack does not support the application of battery packs in series. If the battery packs are forced to be connected in series, the batteries may be directly damaged, and may even cause fire, explosion and other dangers.

### ▶ 3.1 Product Description

The VE48100E-P2 series products use lithium iron phosphate (LFP) as the positive electrode material. It can be widely used in energy storage systems such as residential energy storage, back-up power, and PV self-consumption optimization.

The battery pack is composed of 16 cells of LFP batteries in series connection, with low self-discharge, high energy density, and no memory effect. This type of battery also has excellent performance in high rate, long cycle life, wide temperature range, and high safety.

#### ▶ 3.1.1 Features

- **High energy density**

Higher volume ratio energy and weight ratio energy.

- **Maintenance-free**

The battery pack is maintenance-free in the process of using, which can save customers' battery operation, maintenance testing costs and reduce the frequency of on-site replacement.

- **Long cycle life**

The battery pack life is 3 times long than the ordinary lead-acid batteries.

- **Excellent temperature characteristics**

When charging, the battery working temperature can reach 0°C ~ +60°C (recommended using temperature: +15 ~ +35°C). When discharging, the battery working temperature can reach -20°C ~ +60°C (recommended using temperature: +15 ~ +35°C).

#### ▶ 3.1.2 Basic Functions

- **Monitor**

The battery system uses a high-performance BMS, it has protection functions such as current, voltage.

- **Alarm**

Support abnormal alarms such as overvoltage, under-voltage, overcurrent, high and low temperature, battery failure, hardware failure, etc.

- **Communication**

Provide dual RJ45 interfaces, upload alarming and status data through the RS485/ CAN communication protocol.

- **Parallel connection application**

Support multiple battery packs in parallel, RS485/CAN communication supports up to 6 groups without control unit (or max supports 15 groups with control unit).

- **Balance function**

Support the cells balance function.

- **Extended function**

Extended SNMP, LCD, anti-theft.

### ▶ 3.2 Application Scenario

The battery pack is used to provide backup power, load shifting, peaking shaving and can be used for residential energy storage, solar energy storage and other application scenarios.

The normal working operation diagram of the battery pack can be as shown in the figure below.

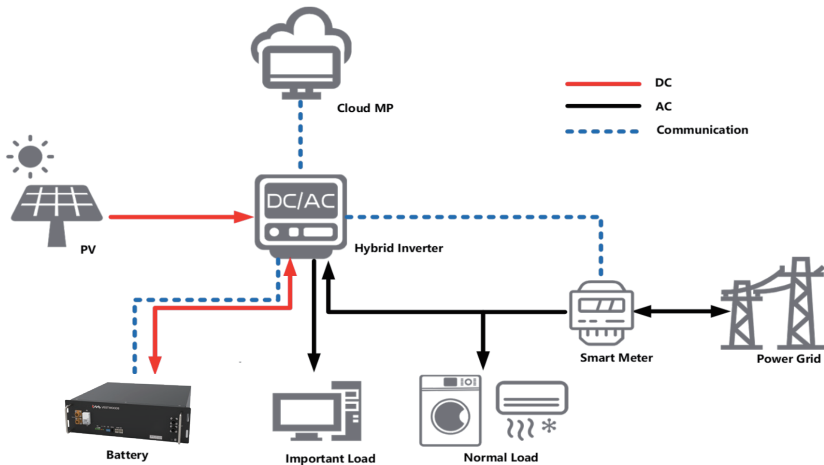
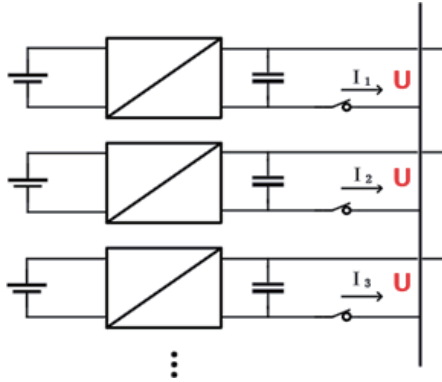


Figure 3-1 Normal Working Operation Diagram of the Battery Pack

### ▶ 4.1 Parallel Connection Application



The battery packs support parallel connection, and synchronously increases the backup time or backup power.

Confirm the consistency between the battery packs, check the SOC and voltage and turn off the batteries before connecting them in parallel.

Multiple battery packs of parallel connection need to use RS485/CAN to communicate, pay attention to the DIP switch settings.

### ▶ 4.2 Low-temperature Application

#### • Low-temperature charging

The battery pack does not support direct charging of the battery below  $0^{\circ}\text{C}$ . When the minimum temperature of the battery is below  $0^{\circ}\text{C}$ , the BMS will cut-off the charging circuit and cannot be charged.

#### • Low-temperature discharging

The battery pack does not support discharge below  $-20^{\circ}\text{C}$ . When the minimum temperature of battery is below  $-20^{\circ}\text{C}$ , the BMS will cut-off the discharge circuit and cannot discharge.

### ▶ 4.3 Low Battery-capacity Storage (SOC $\leq$ 5%)

After the battery pack is power off, there will be BMS static power consumption and self-discharge loss. In actual scenarios, it is necessary to avoid low-battery-power state (SOC $\leq$ 5%) storage. If it is unavoidable, the longest storage period is 30 days@ $25^{\circ}\text{C}$ , 15 days@ $45^{\circ}\text{C}$ . The battery needs to be recharged in time after storage, otherwise the battery may be damaged due to over-discharge, and the entire battery pack needs to be replaced.

The following conditions may cause the battery pack to be stored in a discharged state:

- After the utility power failure, the line/fault cannot be eliminated in time, and the power supply cannot be restored for a long time.
- After the installation and commissioning work is completed, the utility power is turned off directly, but the battery pack is not powered off, which will cause the battery to enter the low power consumption mode.
- Other reasons cause the battery pack to fail to enter low power consumption normally.

### ▶ 4.4 Application of Nearing the Ocean

The atmospheric corrosion environment is defined and classified according to the natural environment state, and the A/B environment is defined as follows:

- A. environment refers to the ocean or the land near the pollution source, or the environment with simple shelter (such as awning. "Near the ocean" refers to the area 0.5~3.7km away from the ocean; "Near the pollution source" refers to the area within the following radius: 3.7km from the saltwater lake, 3km from heavy pollution sources such as smelters, coal mines, and thermal power plants, chemical industry, rubber, electroplating, etc. 2km from medium pollution sources such as chemical industry, rubber and electroplating, etc. And 1km from light pollution sources such as food, leather and heating boilers, etc.
- B. environment. Refers to the environment on land or outside with simple shelter (such as awning within 500m from the coast, or the environment on the sea.

---

#### NOTE

- The battery pack can be used under other environmental conditions and cannot be used alone under A/B environment. If it is to be used in the A/B environment, it needs to be equipped with a high-protection air-conditioning cabinet, which is recommended to be IP55 or higher.
-



### ▶ 5.1 Product Appearance

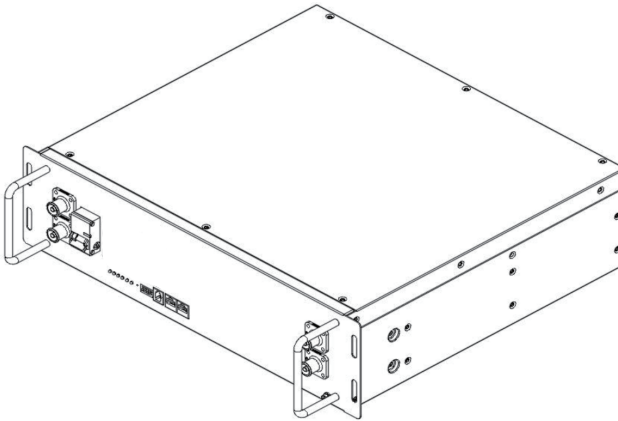


Figure 5-1 Battery Appearance

---

#### NOTE

- The battery packs show as above is standard product. At the same time, supplier can also provide customized products according to customer's requirements.
  - With process improvements and product upgrades, the product characteristics described are subject to change without notice.
  - For the parameters of specific products, please refer to the corresponding product datasheet.
-

5.2 Panel Introduction

5.2.1 Panel Function

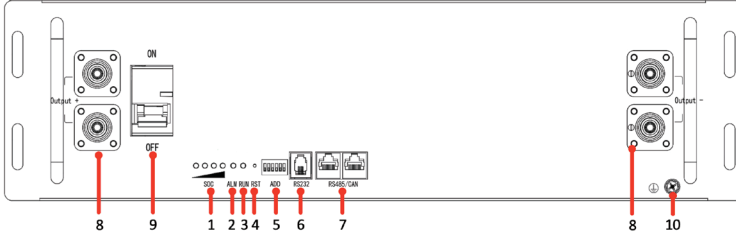


Figure 5-2 VE48100E-P2 Front Panel

The interface definition as below table:

Table 5-1 Operation Panel Interface Definition

No.	Name	Description	Remark
1	SOC	State of capacity	Details show in Table 5-3
2	ALM	Alarm light	Details show in Table 5-4
3	RUN	Run light	Details show in Table 5-4
4	RESET	Reset switch	Restart battery and recover some certain alarms status
5	ADD	Dip switch	Address range 0~15
6	RJ-11	RJ-11 interface for firmware update	Used only for professional maintenance
7	RJ-45	2*RJ-45 interface for RS485/CAN communication	Details show in Table 5-6
8	Battery Output	Power terminal	-
9	Switch	Power switch	-
10	GND	Module ground connection	-

 **NOTE**

- The position or terminal block of the above-mentioned panel interfaces is different for different VE48100E-P2 series batteries, please refer to the corresponding product datasheet.

## 5.2.2 Indicator Description

There are 6 indicators on the operation panel, divided into three categories: 4 green SOC Indicators, 1 red alarm Indicator and 1 green run indicator.

Table 5-2 Indicators Flash Mode

Flash mode	ON	OFF	Remark
Flash Mode 1	0.25 s	3.75 s	/
Flash Mode 2	0.5 s	0.5 s	Slow Flash
Flash Mode 3	0.5 s	1.5 s	/
Flash Mode 4	0.25 s	0.25 s	Strobe

The power indicator is used to identify the current capacity status of the battery. The number of flashing indicators corresponds to different remaining capacity. The specific meaning is shown in the following table.

Table 5-3 SOC Indicators Definition

Number of Indicator	Remaining Capacity Range
1 indicator on	$0\% \leq \text{SOC} \leq 25\%$
2 indicators on	$25\% < \text{SOC} \leq 50\%$
3 indicators on	$50\% < \text{SOC} \leq 75\%$
4 indicators on	$75\% < \text{SOC} \leq 100\%$

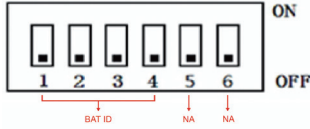
The corresponding relationship between battery operation status and indicator operation status is shown in the following table.

Table 5-4 Battery Status and Indicator Operation Mode

Battery Status	Normal/ Abnormal	RUN	ALM	SOC Indicators				Description
-	-	●	●	●	●	●	●	-
Power off/ Sleep		OFF	OFF	OFF	OFF	OFF	OFF	-
Standby	Normal	Flash 1	OFF	According to SOC				Flash mode shown in Table 5-2
Charge	Normal	Flash 2	OFF	According to SOC				-
Discharge	Normal	ON	OFF	According to SOC				-
Alarm	Abnormal	According to the state of charge and discharge	Flash 2	According to SOC				Recoverable
Error	Abnormal	OFF	ON	OFF				-

## 5.1.3 DIP Address

To communicate with the battery, you need to assign an address to the battery BMS through the DIP switch.



The relationship between DIP address and BMS address as below:

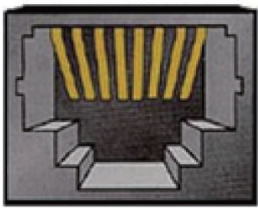
Table 5-5 Correspondence between BMS and DIP Switch

DIP 1	DIP 2	DIP 3	DIP 4	BMS Address	BMS Address
OFF	OFF	OFF	OFF	0	
ON	OFF	OFF	OFF	1	
OFF	ON	OFF	OFF	2	
ON	ON	OFF	OFF	3	
OFF	OFF	ON	OFF	4	
ON	OFF	ON	OFF	5	
OFF	ON	ON	OFF	6	
ON	ON	ON	OFF	7	
OFF	OFF	OFF	ON	8	
ON	OFF	OFF	ON	9	
OFF	ON	OFF	ON	10	
ON	ON	OFF	ON	11	
OFF	OFF	ON	ON	12	
ON	OFF	ON	ON	13	
OFF	ON	ON	ON	14	
ON	ON	ON	ON	15	

▶ 5.2.4 Communication Port Definition

RJ 45 definition as below:

Table 5-6 RJ 45 Definition

RJ 45Photo	Pin	Description
	1/2/3	NC
	4	RS485_A
	5	CAN_L
	6	CAN_H
	7	RS485_B
	8	GND

 NOTE

- The above is the definition of conventional communication, if you have special needs, please contact supplier or an authorized dealer.





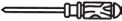



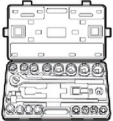







▶ 6.1 Tools Preparation

**⚠ ATTENTION**

- Use insulated tools to avoid electric shock. If you use tools without insulation protection, you need to wrap the exposed metal parts with insulation tape for insulation treatment.

The following table describes the tools and meters that may be used before installation.

Table 6-1 Installation

Manual forklift	Electric forklift	Electric screw driver	Adjustable wrench
			
Phillips screwdriver	Slotted screwdriver	Torque wrench	Claw Hammer
			
Socket wrench	Multimeter	Protective gloves	Helmet
			
Insulated shoes	Anti-static gloves	Goggles	Insulating tape
			

### ▶ 6.2 Unpacking Inspection

- 1 Move the battery to the nearby of site.
  - 2 Use a claw hammer to open the box and check whether the items are complete.
  - 3 Check the appearance whether there is damaged or leakage.
- 

#### ATTENTION

- The battery is heavy, if possible, please use tools to assist in handling.
- 
- 

#### NOTE

- Package contains VE48100E-P2 series batteries, user manual and accessories.
  - If the battery is found to be damaged to leakage, please do not proceed to the next installation, and contact supplier or an authorized dealer in time.
- 

### ▶ 6.3 Installation

- 1 Make sure the Power system is in off state.
  - 2 Put the battery into cabinet or rack.
  - 3 Use 4 M6x25 bolts to fix the battery pack on the cabinet.
  - 4 Take out the ground wires and connect one end to the ground point of the battery pack and the other end to the ground point of the cabinet.
- 

#### ATTENTION

- The battery pack should be installed by professionally trained personnel, and it is strictly forbidden to install it without permission.
    - Use insulated tools during installation to avoid electric shock. If you use tools without insulation protection, you need to wrap the exposed metal parts with insulation tape for insulation treatment.
    - The battery pack is heavy, and at least 4 manpower must be prepared during the transportation and installation process. If possible, please use tools to assist in handling.
-



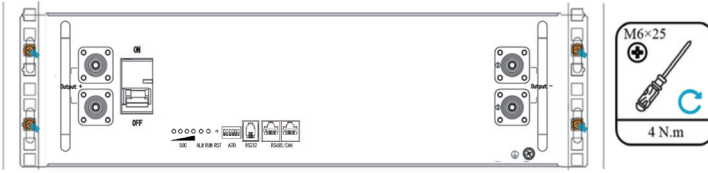


Figure 6-1 Install the Battery Pack

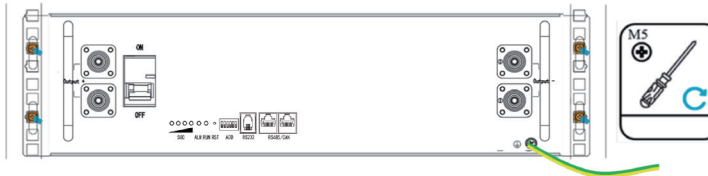


Figure 6-2 Battery Pack Ground

▶ 6.4 Cable Connection

▶ 6.4.1 Power Cable Connection

Use the negative power cable to connect the negative bus bar with the battery negative ( '-' ) terminal, and use the positive power cable to connect the positive bus bar with the battery positive ( '+' ) terminal.

- A. The last power cable connected to the charger or inverter needs to be configured according to the actual current that may exceed 100A.

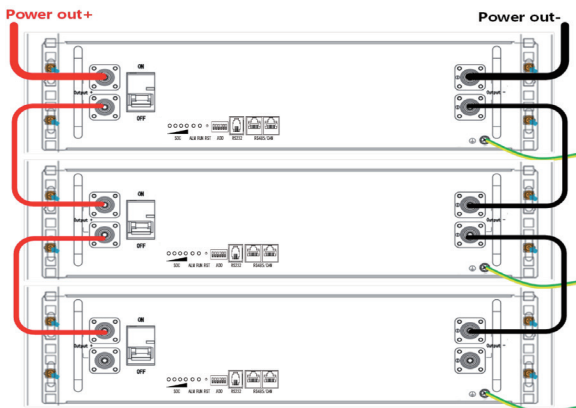


Figure 6-3 Connect the Battery Pack Power Cable

- B. If the battery total input/output current more than 100A in parallel, the wiring method should configure bus-bars to connect the power cables.

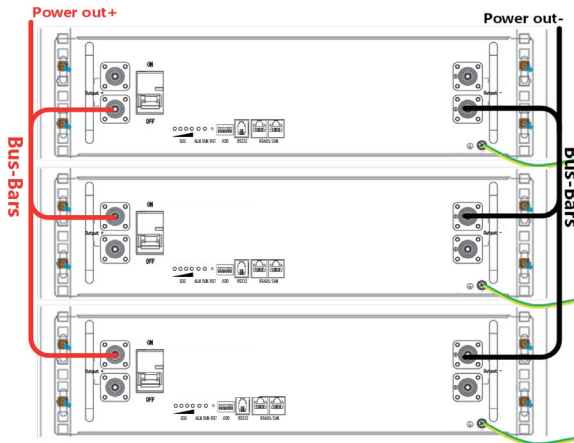


Figure 6-4 Connect the Battery Pack Power Cable to Bus-bars

### 6.4.2 Communication Cable Connection

Use the communication cable to connect the battery packs in series through the RS485/CAN communication port, and connect the battery packs at the end to the external device BMS port. The communication cable pins refer to "Table 5-6 RJ45 Definition" .

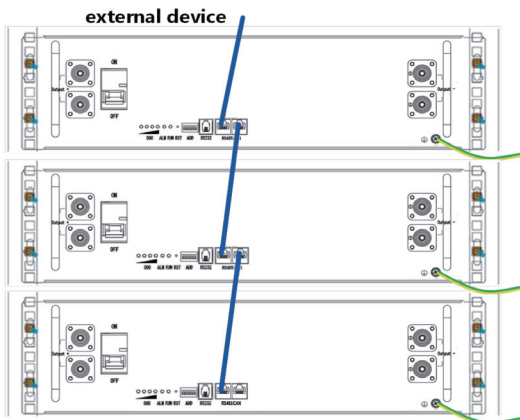


Figure 6-5 Connect RS485/CAN Communication Cable

### ▶ 6.4.3 120Ω Resistor Connection

To ensure stable CAN communication with the external device/Inverter when batteries are used in parallel, please take out a 120Ω resistor from the 'Battery Kit' and insert it into the RJ45 port of the battery that communicates farthest with the external device/Inverter.

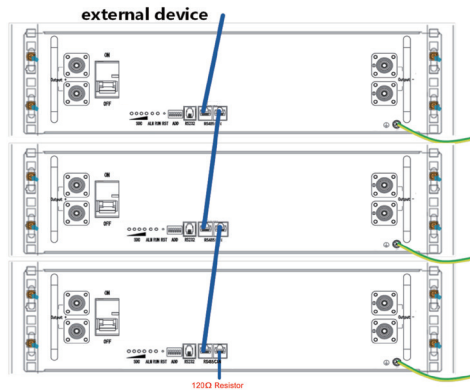


Figure 6-6 Connect 120Ω Resistor

### ▶ 6.5 Set Dial Address

Assign addresses to battery packs by dialing the dialing keys of the dialing switch. DIP switch address please refer to "Table 5-5 Correspondence between BMS and DIP switch" .

- A. When the battery and the external device use the CAN communication mode, the battery connected to the external device is set to 0, and the other packs are set to 1/2/3 in sequence.
- B. When the battery and the external device use the RS485 communication mode, the battery connected to the external device is set to 1, and the other packs are set to 2/3/4 in sequence.

#### **⚠ ATTENTION**

- Before connecting cables, make sure that the bus-bars at the user end are in a power-off state.
- Pay attention to the polarity of the battery pack.
- Communication cables and power cables must be laid separately.
- Connect the negative power cables of all battery packs first, and then connect the positive power cables of the battery packs.

## 7.1 Power-on Operation

- 1 Power on the charger/inverter at the user terminal.
- 2 Set the lithium battery MCB/Switch to ON (if available).
- 3 Observe Run/Alarm indicator and judge the battery operating status. If the RUN indicator of the battery is on and the ALARM indicator is off, indicating that the battery is working normally. Otherwise indicating the battery is not work, you need to reconfirm whether the cables are connected well.

## 7.2 UIWare Configuration

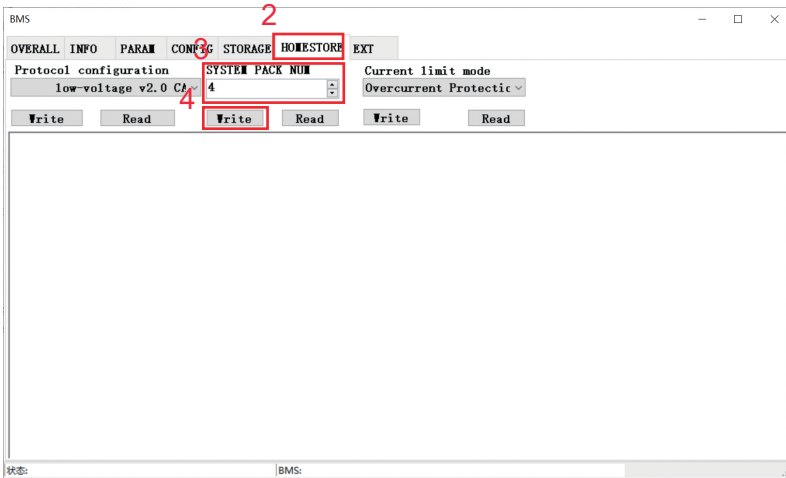


Figure 7-1 Configuration Page

- 1 Connect the UIWare by computer successfully.
- 2 Click the 'HOMESTORE' page.
- 3 Select the actual number of batteries in parallel connection on the 'SYSTEM PACK SUM'
- 4 Click the 'Write' button to finish the setting.
- 5 Restart the battery.

### NOTE

- Please refer to the "UIWare User Manual" for more UIWare operations.

▶ 7.3 Power System Parameter Setting

Table 7-1 Parameter Setting

No.	Parameters	Units	Standard Value
			16s
1	Rated voltage	V	51.2
2	Float charge voltage	V	56.8
3	Standard charge current	A	0.2C
4	Charge current limitation	A	0.5C
5	Maximum charge/discharge current@25°C	A	1C
6	Condition to float charge	A	0.05C
7	Charging operation temp.	°C	0°C~60°C
8	Discharge operation temp.	°C	-20°C~60°C
9	RH	/	10%~95%

 NOTE

- The content in the table is just our suggestion, and actually need to refer to the customer's design requirements.
- The setting items of different chargers will be different.
- Follow strictly the power on procedure to power on the battery pack, otherwise it will cause damage to the device or human body.
- Make sure the charger is powered on before turning on the Battery MCB/Switch.
- Must not change the parameters optionally in the site.
- Batteries will continue charge/discharge until BMS protection if there is lead-acid mode between battery and inverter/charge.
- After VE48100E-P2 series batteries goes into the sleeping status, please turn on the battery MCB/Switch again or press the reset button.

## ▶ 8.1 Shipment

It is suitable for the transportation of vehicles, ships and airplanes. During transportation, shading, sun protection and civilized loading and unloading should be performed. The box containing the product is allowed to be transported by any means of transportation. In the process of loading and unloading, the battery should be handled with care to prevent falling, rolling, and heavy pressure. Avoid direct rain and snow and mechanical impact during transportation.

And here is the suggestion for the initial SOC before shipment by different transportation:

- Airplane: 30%
- Sea :50%
- Vehicle:50%



### NOTE

- Whether the loading SOC status of the battery is allowed, you need to consult the relevant government transportation department.

---

## ▶ 8.2 Maintenance

### ▶ 8.2.1 Battery Maintenance Considerations

When maintaining the battery, it is required to use insulated tools or wrap the tools in insulation.

- DO NOT place any debris on the top of the battery.
- DO NOT use any organic solvents to clean the battery.
- DO NOT smoke or use naked flames near the battery.
- After the battery is discharged, the battery should be charged in time to avoid affecting the battery life.
  - When not using the battery for a long time, please charge the battery to 40%~50% charged state. Long-term storage with low battery may damage the battery.
  - All maintenance work must be carried out by professionals.

▶ 8.2.2 Routine Maintenance

The staff should perform visual inspection on VE48100E-P2 series battery according to the inspection plan, please refer to the following table for maintenance.

Table 8-1 Routine Maintenance (Every three-month)

Items	Standard	Dealing
Battery Appearance	<ul style="list-style-type: none"> <li>● The surface is neat and clean without stains.</li> <li>● The terminals are in good condition.</li> <li>● The battery pack shell is intact, and there is no bumps, breaks, or leakage.</li> <li>● The appearance of the battery pack does not leak.</li> <li>● No deformation or swelling of the shell.</li> </ul>	<ul style="list-style-type: none"> <li>● If the surface is dirty, clean the appearance of the battery pack with a cotton cloth.</li> <li>● The battery pack terminal is damaged, replace the cable.</li> <li>● If the appearance is damaged, leaking or deformed, take a photo and replace the defective battery pack.</li> <li>● Please contact supplier in time for other abnormal situations.</li> </ul>
Alarm	<ul style="list-style-type: none"> <li>● No Alarm.</li> </ul>	<ul style="list-style-type: none"> <li>● Find the solution as per alarm information.</li> </ul>

 NOTE

- Suggested routine maintenance for every three-month.

Table 8-2 Routine Maintenance (Every six-month)

Items	Standard	Action
(Suggested) Complete Cycle	<ul style="list-style-type: none"> <li>● Have a complete charge &amp; discharge cycle under the equipment no lack of power.</li> </ul>	<ul style="list-style-type: none"> <li>● Check whether happens alarm action, and please check with the alarm list.</li> <li>● Please contact with supplier if the alarm still exists.</li> </ul>
Cables	<ul style="list-style-type: none"> <li>● There is no aging of the connecting wire and no cracking of the insulation layer.</li> <li>● The bolts at the cable connection are not loose.</li> </ul>	<ul style="list-style-type: none"> <li>● Replace the faulty connection.</li> <li>● Fastening bolts.</li> </ul>

▶ 8.3 Battery Storage

- The recommended storage temperature is 15°C~35°C.
- Battery performance degradation after long-term storage, please shorten shelf time as possible as you can.
  - Recharge charge before using to recover capacity loss of self-discharge during storage and transport.
  - Storage battery should be at 40%-50%SOC when the battery is not used for a long time.
  - Storage battery over 40°C or under 0°C will reduce battery life.
  - Storage battery in dry and low temperature, well ventilated place.

If the battery is not used for a long time, the battery must be charged at regular intervals. The charging requirements are as follows:

Table 8-3 Battery Charge Requirement in Storage Status

Storage Temp.	Charge Period	Charge Process
20°C~30°C	Each 6 months	1.Charge by 0.2C to 100% SOC 2.Discharge by 0.2C to 0% SOC 3.Charge by 0.2C to 40%~50% SOC
0°C~20°C or 30°C~40°C	Each 3 months	



Please refer to the table below to deal with common faults:

Table 9-1 FAQ

Phenomenon	Possible cause	Solution
The indicator does not flash	<ul style="list-style-type: none"> <li>● The power cable of the battery pack is not properly connected.</li> <li>● The power switch is off.</li> <li>● The BMS is in a sleep state.</li> <li>● BMS is damaged.</li> </ul>	<ul style="list-style-type: none"> <li>● Reconnect the power cable of the battery pack.</li> <li>● Turn on the power switch.</li> <li>● Charge the battery pack.</li> <li>● Replace BMS.</li> </ul>
Unable to discharge	<ul style="list-style-type: none"> <li>● The terminal of the battery pack is damaged.</li> <li>● BMS communication failure.</li> <li>● The power switch is off.</li> </ul>	<ul style="list-style-type: none"> <li>● Replace the battery pack wiring terminals.</li> <li>● Reconnect the communication line between the BMS and the battery pack. If the communication cable is damaged, replace the communication cable.</li> <li>● Turn on the power switch.</li> </ul>
Unable to charge	<ul style="list-style-type: none"> <li>● The charger is malfunctioning.</li> <li>● The terminal of the battery pack is damaged.</li> <li>● BMS communication failure.</li> <li>● The power switch is off.</li> </ul>	<ul style="list-style-type: none"> <li>● Replace the charger.</li> <li>● Replace the battery pack wiring terminals.</li> <li>● Reconnect the communication line between the BMS and the battery pack. If the communication cable is damaged, replace the communication cable.</li> <li>● Turn on the power switch.</li> </ul>
Communication fail	<ul style="list-style-type: none"> <li>● The power switch is off.</li> <li>● The BMS is in a sleep status.</li> <li>● The communication cable is damage.</li> </ul>	<ul style="list-style-type: none"> <li>● Turn on the power switch.</li> <li>● Charge the battery pack.</li> <li>● Replace the network cable.</li> </ul>
Inaccurate voltage display	<ul style="list-style-type: none"> <li>● The voltage sampling line is damaged.</li> <li>● BMS is damaged.</li> </ul>	<ul style="list-style-type: none"> <li>● Replace the voltage sampling line.</li> <li>● Replace BMS.</li> </ul>
Low capacity	<ul style="list-style-type: none"> <li>● The battery pack has not been maintained for a long time.</li> <li>● The single battery is damaged.</li> <li>● Inaccurate voltage sampling.</li> </ul>	<ul style="list-style-type: none"> <li>● Use an equalizer to maintain the battery pack.</li> <li>● Replace the damaged single battery.</li> <li>● Replace the electrical sampling line or replace the BMS.</li> </ul>
Low cell voltage	<ul style="list-style-type: none"> <li>● The battery pack has not been maintained for a long time.</li> <li>● The single battery is damaged.</li> <li>● Inaccurate voltage sampling.</li> </ul>	<ul style="list-style-type: none"> <li>● Use an equalizer to maintain the battery pack.</li> <li>● Replace the damaged single battery.</li> <li>● Replace the electrical sampling line or replace the BMS.</li> </ul>

Except for the following and the conditions specified in the contract, you can go to supplier and authorized dealers for reasonable warranty and maintenance.

1 Failure of equipment caused by unauthorized disassembly and maintenance operations without the authorization of supplier and authorized dealers is not within the scope of the warranty.

2 Equipment damage caused by negligence during storage and transportation is not covered by the warranty.

3 The damage to the equipment caused by continuous overload work outside the electrical parameters of the equipment is not covered by the warranty.

4 Unauthorized testing of the equipment without the authorization of supplier and authorized dealers will not be covered by the warranty.

5 Non-equipment problems, adverse consequences caused by operation and matching problems are not covered by the warranty.

6 Equipment damage caused by natural forces, force majeure, and uncontrollable factors, such as earthquakes, typhoons, tornadoes, volcanic eruptions, floods, lightning, heavy snow, and wars, is not covered by the warranty.

7 If the product serial number is changed, blurred, or torn, it is not covered by the warranty.

BMS	Battery Management System
D	Depth
H	Height
LCD	Liquid Crystal Display
LFP	LiFePO <sub>4</sub>
MOSFET	Metal-Oxide-Semiconductor Field-Effect Transistor
NTC	Negative Temperature Coefficient
PC	Personal Computer
PCB	Printed Circuit Board
PCS	Power Conversion System
RTU	Remote Terminal Unit
SOC	State of Charge
W	Width

# OPTONICA

**Manufacturer:** Hangzhou Vestwoods Technology Co., LTD,  
Floor 3, Building 1, Yongle Countryside, Cangqian Street,  
Yuhang District, Hangzhou City, Zhejiang Province, 311121, P.R. China

**Importer:** Prima Group 2004 LTD, Bulgaria, 1784 Sofia,  
Mladost 1, bl. 144, Ground Floor; Phone: +359 2 988 45 72;